



For after Sales support Contact:  
BDS FIRE Shepley House Restmor Way  
Hackbridge Surrey SM6 7AH  
Tel 020 8773 3377  
E: [info@bds-fire.co.uk](mailto:info@bds-fire.co.uk) W: [www.bds-fire.co.uk](http://www.bds-fire.co.uk)



# ID3000 2-8 loop intelligent fire alarm control panel

## Data Sheet



The NOTIFIER ID3000 family of fire alarm control panels delivers the power and flexibility to meet the even the most demanding of requirements. From 2 to 8 loops in a single ID3000 panel to over 500 loops on a network, an ID3000 system offers unrivalled stability, versatility and capacity.

When it comes to giving you the earliest possible warning of a potential fire threat the ID3000 supports Notifier's comprehensive range of detectors, advanced fire detection sensors and loop devices delivering you the most complete and versatile fire alarm system in the market place.

### Features

- 2-8 Analogue Addressable Loops; each of up to 198 devices
- 255 Fire zones per panel
- Fully approved peer to peer network of up to 63 panels; maintains 3 second call point response time over the network
- Flexible timer functions; system sensitivity and functionality can be tailored for the time of day, or day of week
- Sophisticated cause and effect programming including support for non-fire signals and over-ride capability for smoke control systems.
- Convenience features for commissioning and maintenance engineers such as auto-learn of loops, walk test and double address detection.
- CPD approved by LPCB (BRE) & VdS

The ID3000 can be programmed to adapt to the different uses of the areas where smoke detectors are installed. A total of 9 different sensitivity levels can be assigned to individual smoke sensors thereby allowing the system designer to closely match the sensor's response to the environment in which the device is located. This even allows smoke detection to be turned off, leaving heat detection active.

The ID3000 also supports the NOTIFIER ID<sup>2</sup>net; one of the fastest, most consistent and robust networking systems available, transmitting an alarm across the network in less than half a second. Such performance makes the ID3000 system ideally suited to even the largest of office complexes, shopping centres, university campus' and sports stadia.

A modular approach to the design of the ID3000 allows for a wide range of applications, facilitating installation and servicing whilst making the ID3000 very easy to tailor to the requirements of the application. Internal and external printer options, a variety of mounting options and a wide range of loop and communication expansion modules all provide a high degree of flexibility during initial design with a ready-made expansion path for the future.

This document is not intended to be used for installation purposes. Every care has been taken in the preparation of this document but no liability can be accepted for the use of the information therein. Design features may be changed or amended without prior notice.

For more information, contact:  
NOTIFIER, Charles Avenue, Burgess Hill, West Sussex, RH15 9UF, United Kingdom  
Phone: +44 (0) 1444 230 300 Fax: +44 (0) 1444 230 888

ISO9001  
Design, Manufacture and  
Supply to Quality Management  
Systems Certified to  
ISO9001:1994





For after Sales support Contact:  
 BDS FIRE Shepley House Restmor Way  
 Hackbridge Surrey SM6 7AH  
 Tel 020 8773 3377  
 E: [info@bds-fire.co.uk](mailto:info@bds-fire.co.uk) W: [www.bds-fire.co.uk](http://www.bds-fire.co.uk)



## ID3002 - 2 Loop Addressable Fire Alarm Control Panel

The ID3002 is a 2 loop intelligent fire alarm panel which is supplied fully assembled. Each loop can support up to 198 devices (99 detectors + 99 modules/modules/sounders) with a total of up to 255 zones per panel.

A full range of intelligent sensors, advanced detection products, input and output devices, repeaters, mimic drivers, printers and other peripherals complement the ID3000 to bring you the most complete and versatile fire alarm system in the market place.

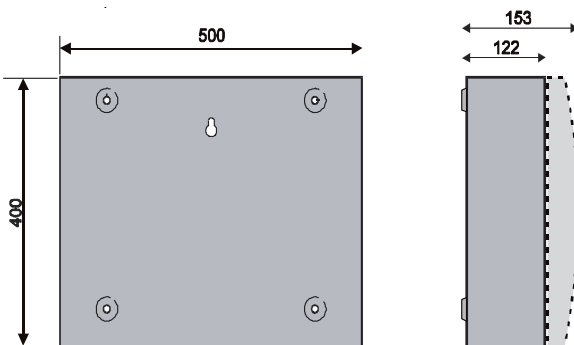


## Specifications

### ID3002 2 Loop Addressable Fire Alarm Control Panel

#### Mechanical Specification

- Dimensions:
  - Height: 400 mm
  - Width: 500 mm
  - Depth: 153 mm
- Weight: 14 kg (without batteries)



#### Environmental Specifications

- Climatic classification: 3K5, (IEC 721-2-3)
- Operating temperature: -5°C to +45°C
- Relative humidity: 5% to 95%, non-condensing
- Ingress Protection (IP) Rating: IP30 (EN 60529)
- Vibration (EN 54-2/4 compliant): EN 60068-2-6, 10-150Hz at 0.981ms<sup>-2</sup>
- EMC Emissions: EN 61000-6-3
- EMC Immunity: EN 50130-4
- Safety: EN 60950

#### Electrical Specification

- Supply rating: Mains supply to the panel is to be provided via an external double-pole mains isolation unit. 230V~(ac) ± 15%, 5A, 50Hz ± 4%.
- PSU3A Output Ratings:
  - Output voltage: 26.0Vdc - 28.3Vdc (stabilised)
  - Ripple voltage: ± 300mV
  - EN54 PSU Loadings I<sub>max</sub>(a): 600mA; I<sub>max</sub>(b): 3A; I<sub>(min)</sub>: 0A

#### Outputs

- Two dedicated Sounder Output Circuits
- Two Sounder or Volt-free Contact (VFC) - selectable outputs
- Two VFC outputs dedicated to Common Fire and Common Fault
- Two standard
- Two 24Vdc auxiliary outputs

#### Loop Outputs

- Output voltage: 22.5 to 26.4V
- Maximum load: 0.5A\*
- Loop driver source impedance: 3.8 ohms at 22.5V

Total system load is limited by the available PSU output. Notifier Loop and Battery Calculator Support Tool, should be used to ensure that the system is NOT overloaded.

#### RS232 Serial Port (Optional)

- Isolation: Functional at 30V.
- Baud rate: Software-selectable up to 9600
- Baud. Connector: Terminal block on RS232 PCB.
- Max cable length: 15m

#### RS485 Serial Port (Optional)

- Isolation: Functional at 30V.
- Baud rate: 1200 Baud.
- Connector: Terminal block on RS485 PCB.
- Maximum cable length: 3000m (minimum of 1mm<sup>2</sup> screened cable recommended)



For after Sales support Contact:  
 BDS FIRE Shepley House Restmor Way  
 Hackbridge Surrey SM6 7AH  
 Tel 020 8773 3377  
 E: [info@bds-fire.co.uk](mailto:info@bds-fire.co.uk) W: [www.bds-fire.co.uk](http://www.bds-fire.co.uk)



## ID3000 - Modular Addressable Fire Alarm Control Panel

The ID3000 can be configured to control a system of between 2 and 8 addressable loops. Each loop can support up to 198 devices (99 detectors + 99 modules/modules/sounders) with a total of up to 255 zones per panel.

The ID3000 is designed in a modular fashion to allow for a wide range of applications, facilitating installation and servicing whilst making the ID3000 very easy to tailor to the requirements of the application. This combined with the full range of intelligent sensors, advanced detection products, input and output devices, repeaters, mimic drivers, printers and other peripherals available from Notifier bring you the most complete and versatile fire alarm system in the market place.



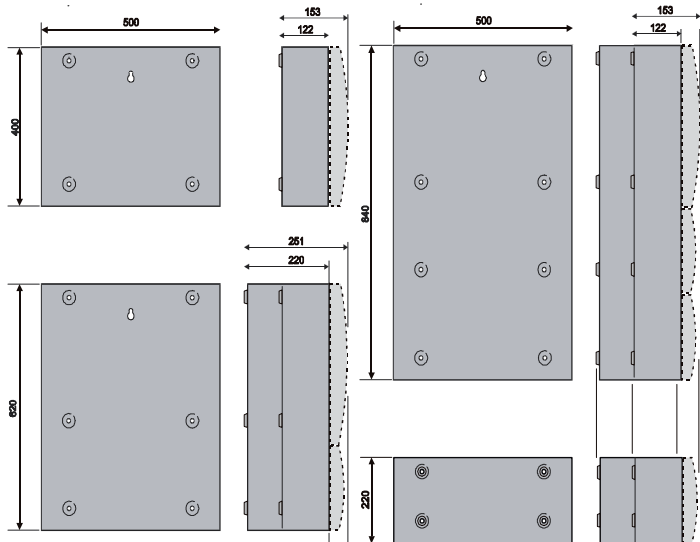
## Specifications

### ID3000 2-8 Loop Addressable Fire Alarm Control Panel

#### Mechanical Specification

Dimensions	Height (mm)	Width (mm)	Depth (mm)	Weight* (kg)
Standard	400	500	153	14
Extended - standard depth	620	500	153	18
Extended - extra depth	620	500	251	20
Double-extended - standard depth	840	500	153	22
Double-extended - extra depth	840	500	251	24
Back Box Extension - standard depth	220	500	251	4
Back Box Extension - extra depth	220	500	251	5

\* Weights quoted are without batteries



#### Environmental Specifications

- Climatic classification: 3K5, (IEC 721-2-3)
- Operating temperature: -5°C to +45°C
- Relative humidity: 5% to 95%, non-condensing
- Ingress Protection (IP) Rating: IP30 (EN 60529)
- Vibration (EN 54-2/4 compliant): EN 60068-2-6, 10-150Hz at 0.981ms-2
- EMC Emissions: EN 61000-6-3
- EMC Immunity: EN 50130-4
- Safety: EN 60950

#### Electrical Specification

- Supply rating: Mains supply to the panel is to be provided via an external double-pole mains isolation unit. 230V~(ac) ± 15%, 5A, 50Hz ±4%.
- PSU7A Output Ratings:
  - Output voltage: 28.1Vdc - 27.7Vdc - primary power (230Vac)
  - 28.1Vdc - 19.5Vdc - standby power (batteries)
  - Ripple voltage: ± 200mV
  - EN54 PSU Loadings: I<sub>max</sub>(a): 1.5A; I<sub>max</sub>(b): 10A; I<sub>(min)</sub>: 0A
- PSU3A Output Ratings:
  - Output voltage: 26.0Vdc - 28.3Vdc (boosted)
  - Ripple voltage: ± 300mV
  - EN54 PSU Loadings: I<sub>max</sub>(a): 600mA; I<sub>max</sub>(b): 3A; I<sub>(min)</sub>: 0A

#### Outputs

- Two dedicated Sounder Outputs
- Two Sounder or Volt-free Contact (VFC) - selectable outputs
- Two VFC outputs dedicated to Common Fire and Common Fault.
- Two standard, or optionally up to eight loop outputs.
- Two 24Vdc auxiliary outputs

#### Loop Outputs

- Output voltage: 22.5 to 26.4V
- Maximum load: 0.5A\*
- Loop driver source impedance: 3.8 ohms at 22.5V

Total system load is limited by the available PSU output. Notifier Loop and Battery Calculator Support Tool, should be used to ensure that the system is NOT overloaded.

#### RS232 Serial Port (Optional)

- Isolation: Functional at 30V.
- Baud rate: Software-selectable up to 9600
- Baud. Connector: Terminal block on RS232 PCB.
- Max cable length: 15m

#### RS485 Serial Port (Optional)

- Isolation: Functional at 30V.
- Baud rate: 1200 Baud.
- Connector: Terminal block on RS485 PCB.
- Maximum cable length: 3000m (minimum of 1mm<sup>2</sup> screened cable recommended)



For after Sales support Contact:  
 BDS FIRE Shepley House Restmor Way  
 Hackbridge Surrey SM6 7AH  
 Tel 020 8773 3377  
 E: [info@bds-fire.co.uk](mailto:info@bds-fire.co.uk) W: [www.bds-fire.co.uk](http://www.bds-fire.co.uk)



## Building your Modular System

The ID3000 is a flexible, modular control panel, built from various option modules. Choose the combinations best suited to the particular application. Each module is supplied with required mounting screws, connection cables, washers etc. and installation instructions.

### Basic Equipment kits Note: Yuasa battery sizes are referenced unless otherwise stated

<b>ID3000 Basic Equipment Kit</b>	Includes main chassis assembly, with hinged display, Base PCB containing two loop interfaces, microprocessor PCB containing relevant software and spare fuses.	020-538
<b>Extension chassis</b>		
<b>Extension Chassis Kit. Zone 1-64</b>	Includes extension chassis with LED display board for zones 1 to 64 to indicate fire and fault / disablement / test. Will also accept PRN-1D printer.	020-559-001
<b>Extension Chassis Kit. Zone 65-128</b>	Includes extension chassis with LED display board for zones 65 to 128 to indicate fire and fault / disablement / test. Will also accept PRN-1D printer.	020-559-002
<b>Extension Chassis Kit. Zone 1-256</b>	Includes 2 extension chassis with LED display boards for zones 1 to 256 to indicate fire, fault / disablement / test. Requires double extended backbox (standard or deep) and 256 Zone extension cover kits, 020-621-009. A printer module 020-471 cannot be added with this option.	020-612
<b>Extension chassis with PRN-ID Printer Module Kit</b>	Includes extension chassis with integral printer fitted. The RS232 card is not required. Uses 1 panel COMMS port.	020-708-009
<b>PRN-ID Printer Module Kit</b>	Includes thermal printer with power supply unit and roll of thermal paper. May be fitted to extension chassis kit 020-559-001, 020-559-002 or used as a spare. The RS232 card is not required.	020-664-009
<b>Power supplies &amp; accessories</b>		
<b>PSU 3A Assembly Kit</b>	Includes complete power supply unit assembly, interconnection cables and spare fuses. Mounts behind the basic equipment chassis and charges up to 38Ah batteries.	020-648
<b>Universal Power Supply Kit. 4.5A or 7A user selectable.</b>	Includes complete power supply unit assembly, interconnection cables and spare fuses. Mounts inside any deep back box kit or the remote battery / PSU enclosure kit and charges up to 130Ah battery capacity. PSU DTP / Booster required in main chassis.	020-579
<b>PSUTP/ Booster Kit</b>	Includes complete PSU interface unit assembly, interconnection cables and spare fuses. Mounts behind the basic equipment chassis. Essential for use with 7A PSU.	020-543
<b>PSU 7A Status Indication Kit</b>	This optional unit includes complete assembly and interconnection cables. Mounts on the side of the externally mounted Power Supply Unit Kit and gives status indication of the PSU.	020-548
<b>78Ah Remote Battery / PSU Enclosure Kit</b>	Floor mounted only back box with extra depth for additional battery space. Powder coated in RAL 7021 extra fine texture. Includes power in connectors. Will hold batteries up to 78Ah. (130Ah if PSU separate). Compatible with PSU7A (020- 579). PSU not included.	020-541-009
<b>Expansion boards</b>		
<b>Dual Loop Module Kit (LIB)</b>	Includes PCB for additional 2 loops, and plug in cable connector. Max. three modules per panel. Maximum of 512 input devices per panel using standard LIBs.	020-588
<b>Dual Enhanced Loop Module Kit (ELIB)</b>	Includes PCB for additional 2 loops with on board standby microprocessor, and plug in cable connector. Max. three modules per panel. Only required where total number of input devices controlled by panel main microprocessor exceeds EN54 limitation of 512. ELIB may be mixed with standard LIBs in a panel.	020-549
<b>Isolated RS232 Module Kit</b>	Includes PCB for isolated RS232 port for OEM interface, 80 column printer etc. Uses 1 panel COMMS port.	020-478
<b>Isolated RS485 Module Kit</b>	Includes PCB for isolated RS485 port for peripherals such as repeaters. Uses 1 panel COMMS port.	020-479
<b>ID<sup>2</sup>net Network Gateway Module (NGM)</b>	The NGM PCB plugs directly into the processor PCB in the ID3000. One NGM is required per ID3000. Up to 63 ID <sup>2</sup> net compatible control panels can be networked together.	020-647
<b>PCA Dual port fibre optic interface</b>	The fibre optic interface PCB plugs directly into the NGM via a ribbon-cable. Two ports are available for fibre optic communication (left & right channel).	020-643

## System Modules

Repeaters & Mimic panels		
<b>IDR-6A Active Repeater</b>	Includes enclosure with electronics carried on the enclosure door. Requires external 18-32V dc. power supply and panel to be fitted with RS485 card 020-479.	002-452
<b>IDR-M Mimic Control PCA Kit</b>	Mimic Driver board mounted on a discrete metal chassis. Up to eight Mimic Driver boards can be driven by one IDR-M control board.	020-573
<b>Mimic Driver PCA Kit</b>	Comprises a Driver board and two Termination boards each mounted on to individual metal chassis. The Control board communicates with up to eight Mimic Driver boards.	020-574
<b>IDR-CM Compact Mimic driver.</b>	Main PCB. Provides 16 programmable LED outputs	020-741
<b>IDR-CME Compact Mimic expansion board</b>	Expansion board. Provides 16 additional programmable LED outputs. Requires Compact Mimic driver board (020-741).	020-742
Back box & enclosure options		
<b>Standard Back Box Kit</b>	Basic back box powder coated in RAL 7021 extra fine texture. Includes power in connectors. Will hold batteries up to 12Ah. Compatible with internal PSU3A or external PSU7A.	020-472-009
<b>Extended Back Box Kit</b>	Single "extended height" back box powder coated in RAL 7021 extra fine texture. Will hold batteries up to 17Ah. Suitable for use with single extension. Compatible with internal PSU3A or external PSU7A.	020-473-009
<b>Extended Deep Back Box Kit</b>	Single "extended height" back box with extra depth for additional battery space, powder coated in RAL 7021 extra fine texture. Includes power in connectors. Will hold batteries up to 38Ah. Suitable for use with single extension. Compatible with internal and external PSU's.	020-474-009
<b>Double Extended Back Box Kit</b>	Double "extended height" back box powder coated in RAL 7021 extra fine texture. Includes power in connectors. Will hold batteries up to 17Ah. Suitable for use with dual extension. Compatible with internal PSU3A or external PSU7A.	020-475-009
<b>Double Extended Deep Back Box Kit</b>	Double "extended height" back box with extra depth for additional battery space, powder coated in RAL 7021 extra fine texture. Includes power in connectors. Will hold batteries up to 38Ah with chassis fitted. Suitable for use with dual extension. Compatible with internal and external PSU's.	020-476-009
<b>Standard Extension Back Box Kit</b>	Basic back box powder coated in RAL 7021 extra fine texture. Will hold batteries up to 17Ah.	020-508-009
<b>Deep Extension Back Box Kit</b>	Deep back box with extra depth for additional battery space, powder coated in RAL 7021 extra fine texture. Will hold batteries up to 38Ah.	020-509-009
Cover & bezel options		
<b>Bezel Standard</b>	Semi-flush mount bezel for standard height back box.	020-038-009
<b>Bezel Extended</b>	Semi-flush mount bezel for extended height back box.	020-039-009
<b>Bezel Double Extended</b>	Semi-flush mount bezel for double extended height back box.	020-040-009
<b>Main Cover Kit</b>	Includes moulding, hinges for user interface door, push clip fasteners, Notifier label and hex fixing tool. Moulding adds 31mm to overall depth of back box.	020-480-009
<b>Extension Cover Kit</b>	Includes moulding, hinges for user interface door, push clip fasteners and printer slot covering label.	020-481-009
<b>256 Zone Extension Cover Kit</b>	Includes sheet metal cover, push clip fasteners and hex fixing tool. Finished in RAL 7021 extra fine texture. For use with the 256 Zone Display Module Kit, 020-612.	020-621-009
<b>Extension Cover Blanking Plate Kit</b>	Blanking plate kit for extension cover moulding where no extension chassis is required. May be used for customisation such as mounting of plant switches. Finished in extra fine texture.	020-485-009



For after Sales support Contact:  
 BDS FIRE Shepley House Restmor Way  
 Hackbridge Surrey SM6 7AH  
 Tel 020 8773 3377  
 E: [info@bds-fire.co.uk](mailto:info@bds-fire.co.uk) W: [www.bds-fire.co.uk](http://www.bds-fire.co.uk)



Charles Avenue | T: +44 (0) 116 246 2255  
 Burgess Hill | F: +44 (0) 116 246 2210  
 W. Sussex | E: [sales@notifierfiresystems.co.uk](mailto:sales@notifierfiresystems.co.uk)  
 RH15 9UF | [www.notifierfiresystems.co.uk](http://www.notifierfiresystems.co.uk)